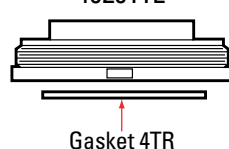
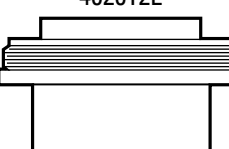
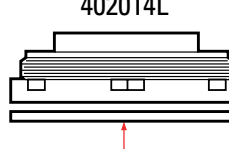
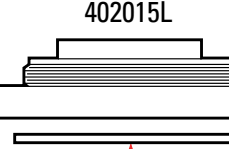


FUNCTION

Our Low Profile DOT 407 Vent combines a low profile, light weight design with increased flow rates to meet the most demanding needs of virtually any DOT 407, DOT 412, MC 307 and MC 312 tank. See the table below for specific flow rates.

The stainless steel valve seat seals on a Teflon® encapsulated silicone "O" Ring. This "O" Ring provides complete chemical resistance and a bubble-tight seal to meet the latest DOT requirements. The unit also meets the surge requirements of 178.345-10 (b) (3).

Styles	Description
<p>402011L</p>  <p>Gasket 4TR</p>	<p>DOT407LT</p> <p>Vent with a 4" N.P.S. female pipe thread. Attaches to a 4" pipe nipple and seals against a solid Teflon® ring gasket.</p>
<p>402012L</p> 	<p>DOT 407LS</p> <p>Stub end vent. Lower housing terminates in a straight stub end. Designed to be welded to the tank shell.</p>
<p>402014L</p>  <p>Gasket 4CFE</p>	<p>DOT407LF</p> <p>Vent to mount on a 4" TTMA flange. Supplied with a 3/8"-16 removable thread inserts and a Teflon® envelope flange gasket.</p>
<p>402015L</p>  <p>Gasket 402016</p>	<p>DOT407LAF</p> <p>Vent to mount on a 4" ANSI flange. Supplied with a Teflon® envelope flange gasket and a 1/4" NPT "Tell-Tale" indicator tap.</p>

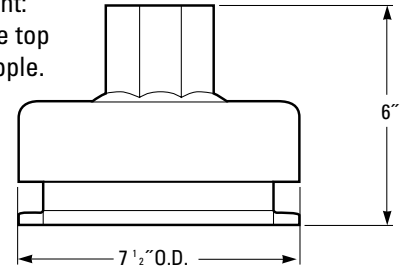
PERFORMANCE SPECIFICATIONS

MAWP	TEST PRESSURE	FLOW (SCFH)	EXPOSED SURFACE
25	40	374,512	737
25	45	431,308	946
30	45	431,308	946
35	52.5	484,718	1156

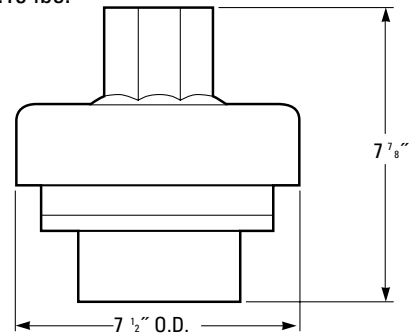
MATERIALS OF CONSTRUCTION

All metallic parts	Stainless Steel
"O" Ring	Teflon® encapsulated silicone
Gasket	Teflon®

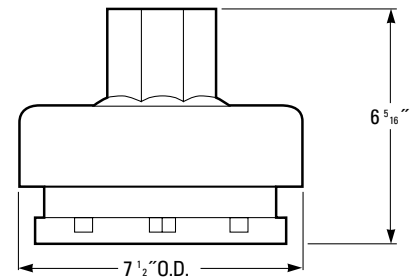
DOT 407 LT:
 Weight: 11.95 lbs.
 Installed Height: 5 1/2" over the top of the pipe nipple.



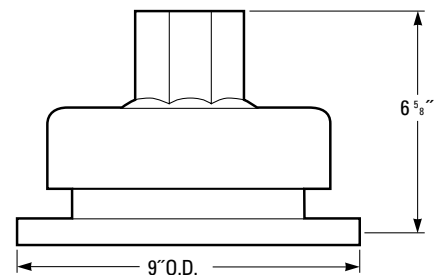
DOT407 LS:
 Weight: 15.15 lbs.



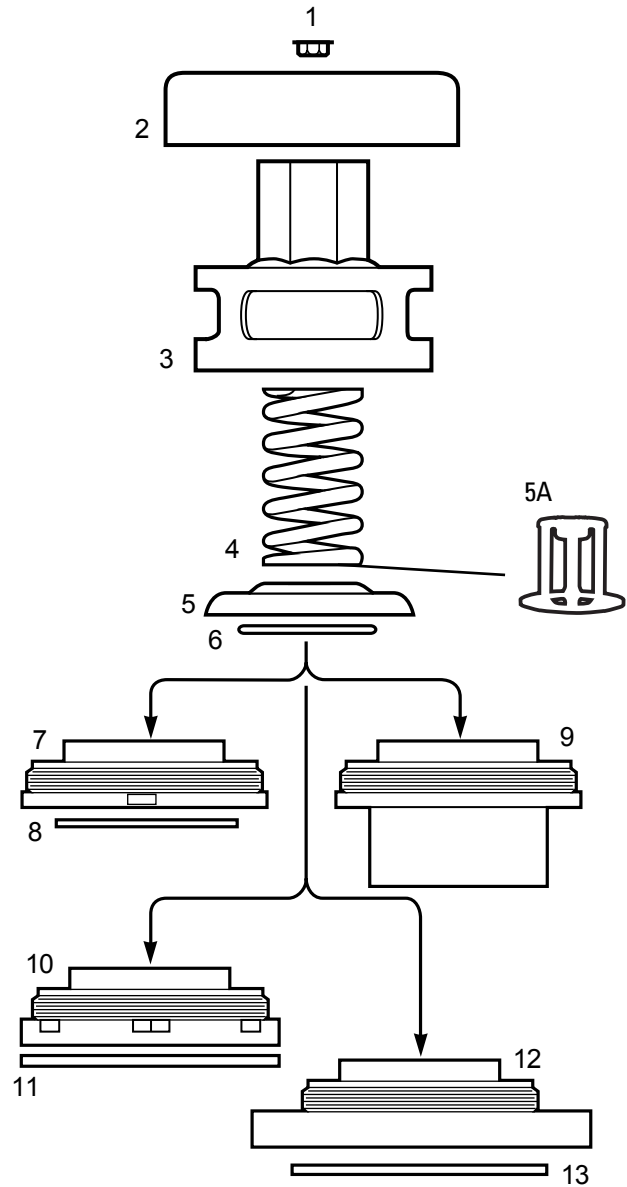
DOT 407 LF:
 Weight: 13.75 lbs.



DOT407 LAF:
 Weight: 24.85 lbs.



ITEMS	PART NUMBER	DESCRIPTION
1	402019	Plug
2	402003L	Rain Cover
3	402004L	Low Profile Upper Housing Specify MAWP
4	402005 402005HP	Spring (for MAWP < 45 only) Spring (for MAWP > 45 only)
5	402006LN	Low Profile Poppet with Spring Retainer (sold with GB25010)
5A	GB25010	Spring Retainer for Pressure Only Vents (sold separately)
6	402007	Teflon® Silicone "O" Ring
7	402011L	4" LT Model Lower Housing
8	4TR	Solid Teflon® Gasket
9	402012L	LS Model Lower Housing
10	402014L	4" LF Model Lower Housing
11	4CFE	Teflon® Encapsulated Flange Gasket (TTMA)
12	402015L	4" LAF Model Lower Housing
13	402016	Teflon® Envelope Flange Gasket (ANSI)



Repair And Disassembly: The disassembly feature was designed to allow users to easily disassemble the vent in one minute.



1) Remove the Plug.



2) Insert the T-Wrench into the nut of the Poppet.

3) Tighten the Lifting Nut.



4) Remove the Upper Housing.



5) Remove and replace the "O" Ring.