



STANDARD FEATURES:

- Pressure / Vacuum or Pressure Only styles available
- Internally lined with PTFE
- Electrochemically polished for easy cleaning
- Slotted holes to fit flange sizes:
DIN65 PN10
DIN80 PN6
3" ANSI
- Optional Teflon® spray coating available upon request



ORDERING INFORMATION:

PART NO.	DESCRIPTION
IMF-TL XX	80mm Slotted Flanged Connection, Tef-O-Sil O-Rings (PTFE), Rugged Cast 316L Stainless Steel Construction, Electro-chemically Polished to a Bright Finish, Tested and Certified with Documentation and a Unique Serial Number
IMF-TL(XX)-WV	Same as above, except this model provides vacuum protection as well as pressure relief

For pressure settings: Substitute (xx) with pressure rating in bar. For example, GE-IMF-TL4.4 is a relief vent set to discharge at 4.4 bar (63.8 psi)

MATERIALS OF CONSTRUCTION:

Contact parts are made from 316L stainless steel
Standard O-Rings: PTFE/Encapsulated Silicone

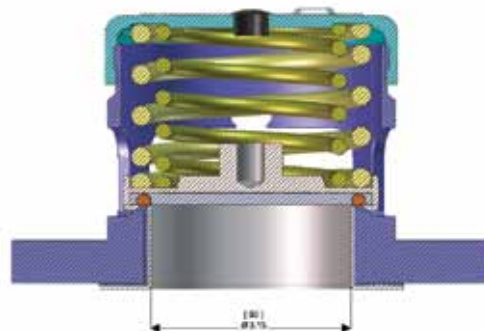
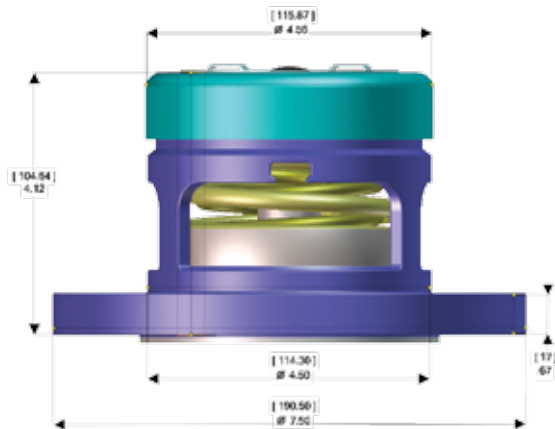
PRODUCT DIMENSIONS:

Weight: 10.50 lbs. (4.76 kg)

PERFORMANCE SPECIFICATIONS:

Pressure Range:	From: 0.21 to 5.17 bar (3-75 psi)
Vacuum Range:	Up to 24" hg
Standard Vacuum Setting:	-2 bar (6" hg)

Test Certificates are supplied with each vent.
Certification inspections can be witnessed by a third party inspectorate upon request.



©Teflon is a registered trademark of Dupont.

ORDERING INFORMATION:

ITEM NO.	PART NUMBER	DESCRIPTION
◆● 1	GR98000	PLUG
2	GR01400	RATING DISC
3	GR02510	CAP
3A	GR03000	SET SCREW
4	GR04510	INNER SPRING
5	GR04500	OUTER SPRING
12	GR13000	PTFE PALLET LINER
◆● 13	GR08040	PRESSURE O-RING
14	GR11513	SLOTTED FLANGE FOR PTFE LINED PRV

ORDERING INFORMATION (PRESSURE ONLY):

ITEM NO.	PART NUMBER	DESCRIPTION
8	GR07501	PRESSURE ONLY PALLET

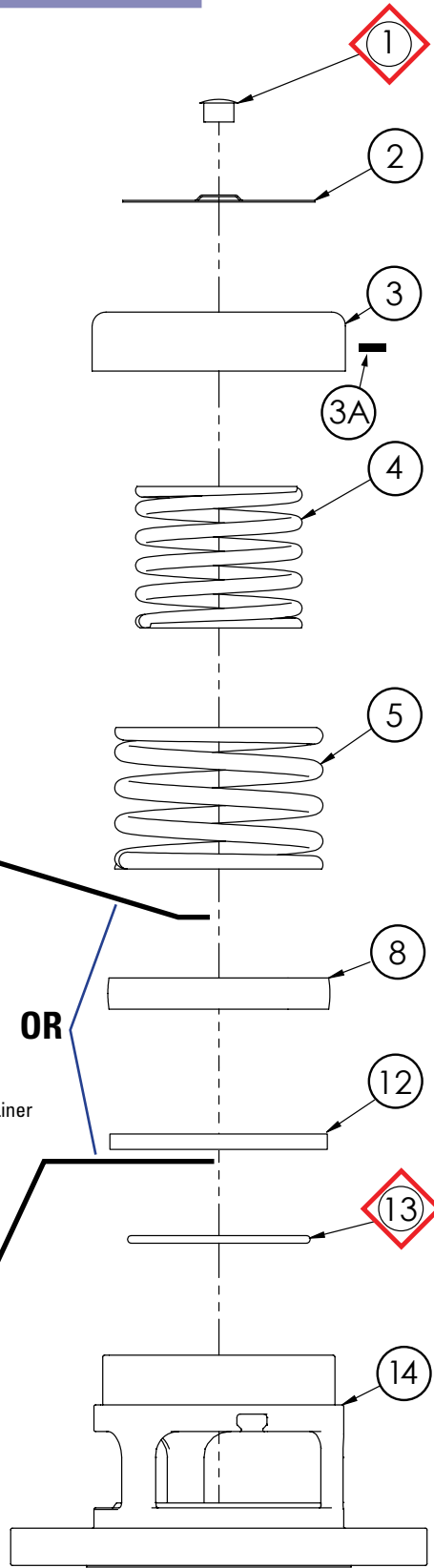
ORDERING INFORMATION (VACUUM):

ITEM NO.	PART NUMBER	DESCRIPTION
6	GR05000	VACUUM NUT - 2 Required
◆ 7	GR06000	VACUUM SPRING
8A	GR07006	PRESSURE / VACUUM PALLET
9	GR13000	PTFE PRESSURE / VACUUM LINER
◆ 10	GR09020	VACUUM O-RING
11	GR10010	VACUUM POPPET W/ PTFE COVER

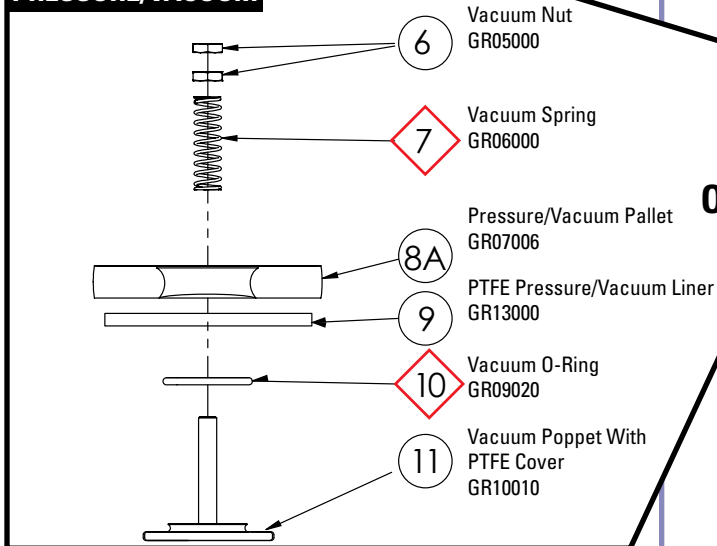
SEAL KIT

IMFTL-SK	O-RING AND SEAL REPLACEMENT KIT (80mm Pressure only models)
◆ IMFTL-SK-PV	O-RING AND SEAL REPLACEMENT KIT (80mm Pressure/Vacuum model)

PRESSURE ONLY



PRESSURE/VACUUM



OR

IMF TL Springs	
Bar	Part Number
1 thru 2	GR04100
2.17 thru 3	GR04400
3.3	GR04400 and GR04410
3.71 thru 5	GR04500 (outer) and GR-04510 (inner)
Above 5	Consult with Factory

*Note PTFE liner acts as an inlet gasket, no additional gasket required for mounting.