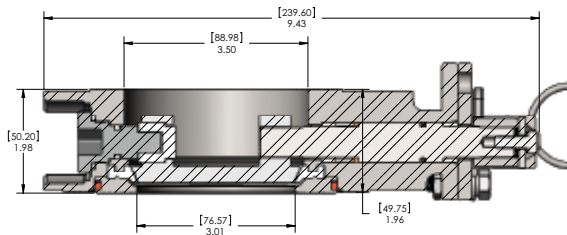


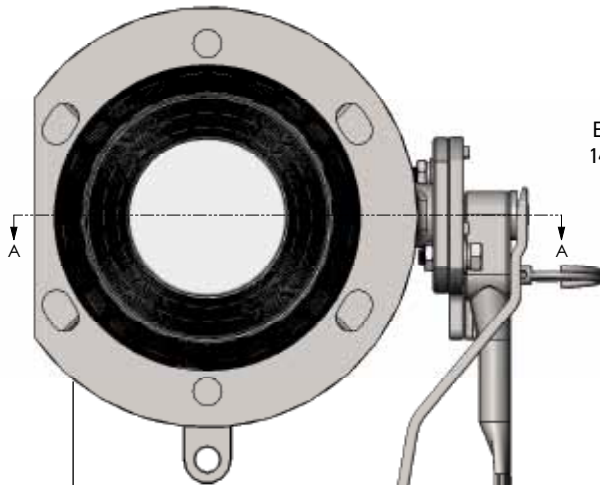


### FEATURES:

- Designed to mount on top of container
- Top discharge assembly
- Integrally cast TIR locking tags for adding tamper evident seals
- All contact parts are 316L Stainless Steel with PTFE and perfluoroelastomeric seals

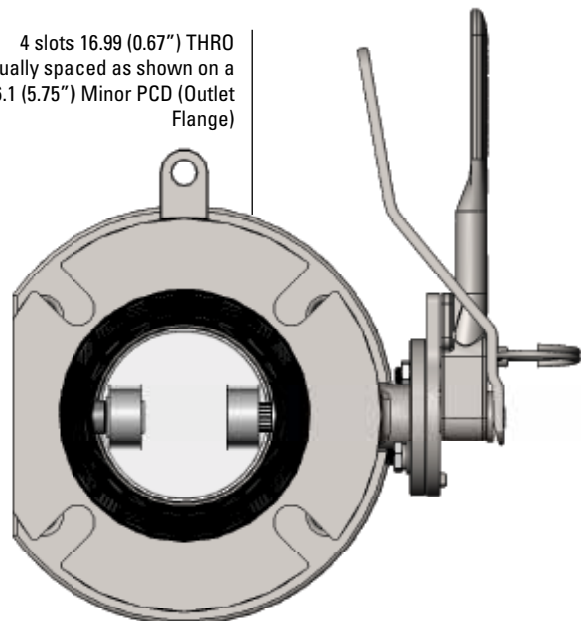


<b>Design Pressure:</b>	6.9 bar (100 psi)
<b>Test Pressure:</b>	10.3 bar (150 psi)
<b>Design Temperature:</b>	392° F (200° C)
<b>Weight:</b>	10.03 lbs (7.2 kg)
ORDERING INFORMATION	
PART NO.	DESCRIPTION
300-TDBV	3" Top Discharge Butterfly Valve. Dimensions described below.



6 Holes  $\phi 14.0(0.55")$   
THRO SPACED AS  
SHOWN ON A 168.28  
(6.625") PCD

4 slots 16.99 (0.67") THRO  
Equally spaced as shown on a  
146.1 (5.75") Minor PCD (Outlet  
Flange)



ITEM #	PART #	DESCRIPTION	QTY.
1	GQ50011	MAIN BODY, FLANGED	1
2	GQ50020	BUTTERFLY SHAFT	1
◆ 3	GQ50030	-113 TEF-O-SIL O-RING	1
◆ 4	GQ50031	-113 VITON O-RING	1
5	GQ50040	DISC	1
◆ 6	GQ50050	SHAFT BUSHING -	1
7	GQ50060	SUPPORT SHAFT	1
◆ 8	GQ50070	SEAT TEF-O-SEAL O-RING -245	1
9	GQ50080	SEAT RING	1
◆ 10	GQ50090	SHAFT BUSHING	2
11	GQ50091	HANDLE -	1
12	GQ50092	HANDLE LEVER -	1
13	GQ50101	HANDLE LOCK PLATE	1
14	GQ50160	8mm LOCK WASHER	2
15	GQ50170	8mm WASHER	2
16	GQ50195	M8 x 1.25 x 4 NUT	2
17	GQ50200	LEVER SPRING	1
18	GQ50210	LOCK PIN	1
19	GQ50230	PULL RING	1
◆ 20	GQ50250	SHAFT BUSHING TEFLON O-RING	1
◆ 21	GQ50260	SUPPORT STEM TEFLON O-RING -117	1
22	GQ50280	SHAFT COLLAR	1
◆ 23	GQ50501	WALKER SEAL	1
24	GQ60080	WASHER B	1
25	GQ50185	M8x1.25x25 FLAT HEAD SOCKET CAP SCREW	1
26	GQ101014	HEX HEAD CAP SCREW M6 x 1 x 16 (MCMaster PART NO. 93635A210)	1
27	93635A322	HEX HEAD CAP SCREW M8 x 1 x 25	1
◆ 28	GQ60310	M6 SPLIT LOCK WASHER (McMASTER PART NO: 91111A129)	1
29	GQ50061	SUPPORT SHAFT COLLAR	1
30	GQ97898	M10 FLAT WASHER	1

TDBV-RK	TOP DISCHARGE BUTTERFLY VALVE REPAIR KIT	1
---------	--	---



STF701401  
Top Discharge Blanking Flange



STF7007  
3" Top Discharge Weld Pad- Machined to accept a siphon tube



M16-4  
Top Discharge Bolting Kit - 4 of each piece  
Contains:  
4-M16 x 65mm S/S Threaded Stud  
4-M16-4 S/S Full Nuts  
4-M16-4 S/S Split Ring Lock Washer

