



**FEATURES:**

- Flanged sealing surfaces are machined to conform with BS1560 part 2
- 316 Stainless Steel investment cast body
- PTFE O-Rings (Tef-O-Sil) Seals are interchangeable with other brands



**PERFORMANCE SPECIFICATIONS:**

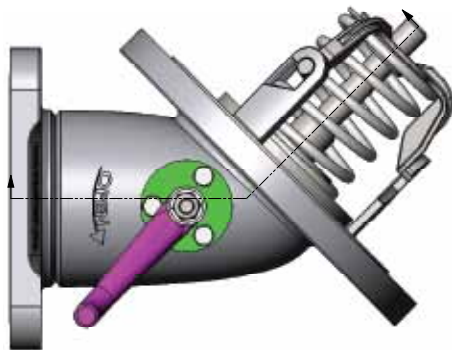
<b>Design Pressure (MAWP):</b>	4 bar (58 psi)
<b>Temperature Range from::</b>	-4° to 392° F (-20° to 200° C)

**PRODUCT DIMENSIONS:**

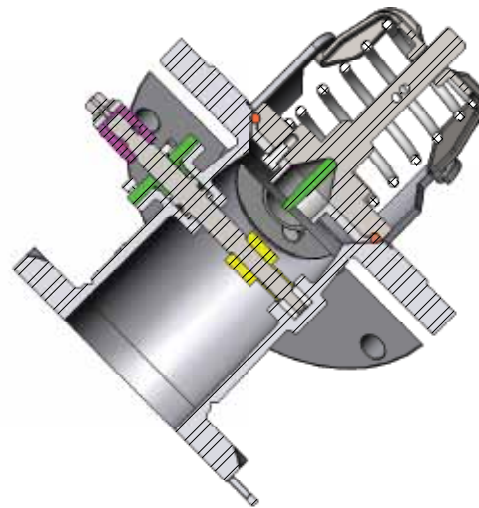
Weight: 15.9 lbs (71.21 kg)

**ORDERING INFORMATION**

PART NO.	DESCRIPTION
300BOV-45	3" 45° megaFLO Footvalve with Tef-O-Sil (PTFE) Seals 4-bolt outlet flange 8-bolt inlet flange
300BOV-30	3" 30° megaFLO Footvalve with Tef-O-Sil (PTFE) Seals 4-bolt outlet flange 4-bolt inlet flange



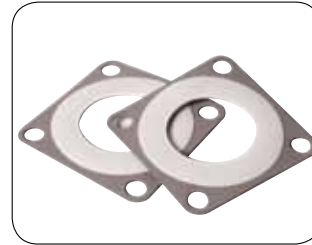
SIDE VIEW



BOTTOM VIEW CUT AWAY

ITEM #	PART #	DESCRIPTION	QTY.
1	GQ40455	PLAIN WASHER	2
2	GQ60020	BOTTOM OUTLET SHAFT	1
3	GQ60030	SPACER	1
◆ 4	GQ60040	-113 TEFLON O-RING	1
◆ 5	GQ60050	THRUST COLLAR	1
6	GQ60060	PLATE	1
7	GQ60070	HANDLE	1
8	GQ60110	CAM	1
9	GQ60120	CONNECTING PIECE	1
10	GQ60130	RIVET	1
◆ 11	GR08040	TEF-O-SIL MAIN O-RING SEAL	1
12	GQ60175	SPRING	1
13	GQ60190	BUSHING	1
◆ 14	GQ60201	BOTTOM OUTLET SHAFT -113 VITON O-RING	1
15	GQ60601	MAIN BODY W/ HOOKS	1
16	GQ101003	SPRING RETAINER, CAST	1
17	GQ60167	DISK	1
18	GQ60100	M6x1x16 SOCKET HEAD CAP SCREW	3
19	GQ60021	M5 X 6 SET SCREW	2
20	GQ97898	WASHER	1
21	GQ101018	M6 SPLIT LOCK WASHER	3
22	GQ40456	M8 LOCKING HEX NUT	1

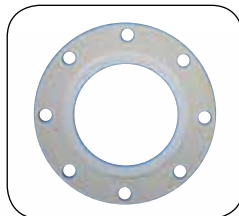
◆	300BOV-RK	BOTTOM OUTLET VALVE REPAIR KIT	
---	-----------	--------------------------------	--



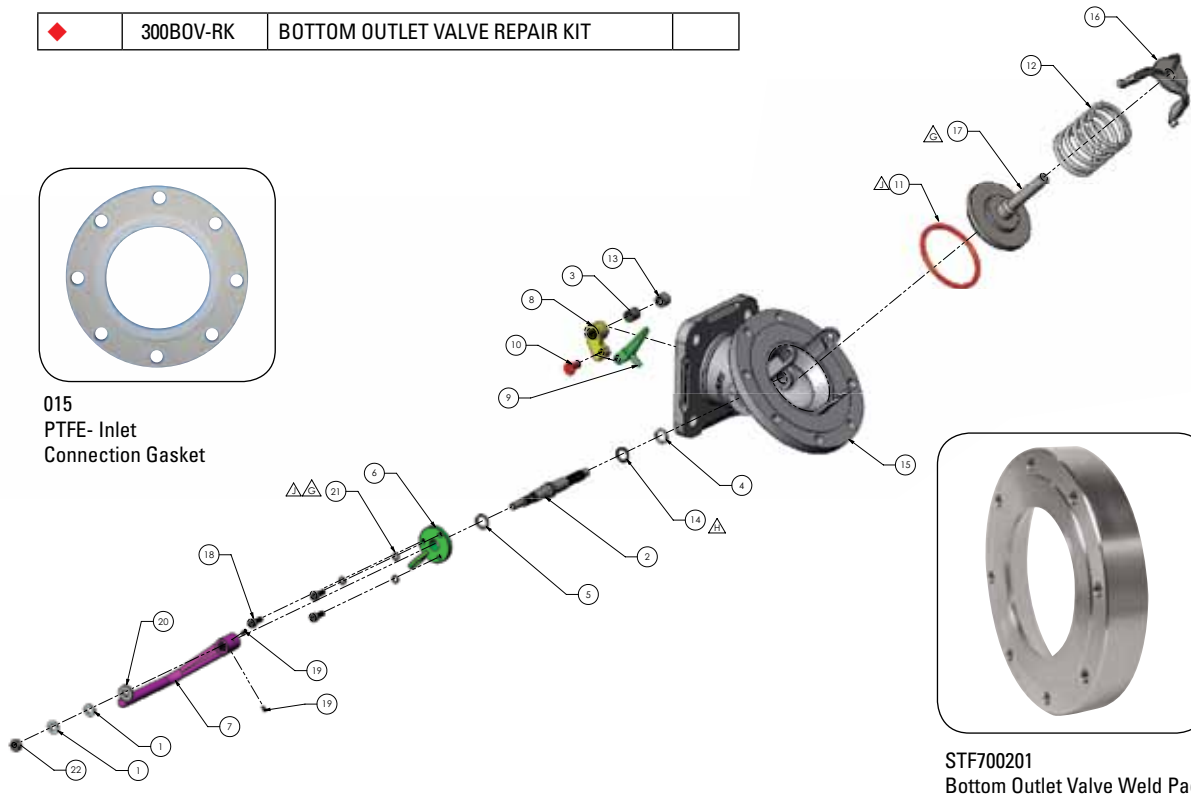
GQ70030  
Butterfly Valve Flange Gaskets



STF701201  
Steam Heated Bottom Outlet Valve  
Weld Pad



015  
PTFE- Inlet  
Connection Gasket



STF700201  
Bottom Outlet Valve Weld Pad