

*Footvalve, Butterfly Valve, Spigot Flange, Cap & Chain Assembly*



**FEATURES:**

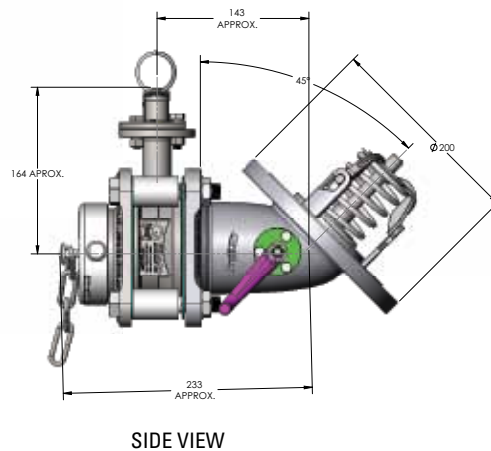
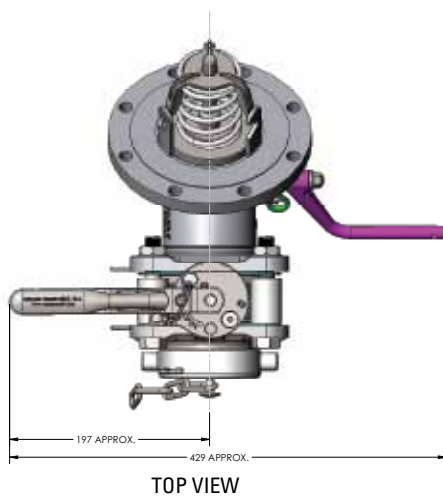
- All contact parts are 316L Stainless Steel with PTFE seals
- Butterfly Valve has left hand operation with TIR and a security lock facility
- Eccentric Spigot Flange to limit trapped liquids and allow for optimal flow rates
- 3" BSP Cap has straight threads that reduce galling when frequently removing and replacing Blanking Cap
- All gaskets, seals and O-Rings are standard sizes and made from PTFE materials; interchangeable with other brands



<b>PERFORMANCE SPECIFICATIONS:</b>	
<b>Design Pressure (MAWP):</b>	4 bar (58 psi)
<b>*Temperature Range:</b>	-4°F (-20°C) to 392°F (200°C)
<b>PRODUCT DIMENSIONS:</b>	
<b>Weight:</b>	29.9 lbs. (12.19 kg)

*\* Can be fitted with extreme low temperature seal. Please inquire when ordering.*

<b>ORDERING INFORMATION:</b>	
<b>PART NO.</b>	<b>DESCRIPTION</b>
45COMP-BSP	3" 45° Composite Footvalve as described above
30COMP-BSP	3" 30° Composite Footvalve as described above
<b>FUSIBLE LINK OPTIONS:</b>	
G-Link	Thermally reactive auto shutoff device. See page 35 for more details.



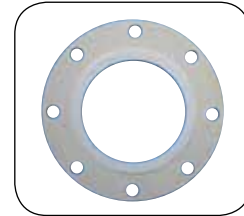
ITEM #	PART #	DESCRIPTION	QTY.
1	GQ50000	BUTTERFLY VALVE	1
2	GQ60600	45 DEGREE OUTLET ASSEMBLY W/CAST HOOKS	1
3	GQ70020	SPACER	4
4	GQ70030	GASKET	2
5	GQ70040	OUTLET FLANGE (BSP)	1
6	GE-3SC-BSP	3" BSP CAP W/CHAIN	1
7	93635A674	M16 X 2 X 100 HEX HEAD CAP SCREW	4
8	93935A360	M16 x 2.0 JAM NUT	4
9	M16 Washer	16mm WASHER	4



GQ70030  
Butterfly Valve Flange Gaskets



STF700201  
Bottom Outlet Valve Weld Pad



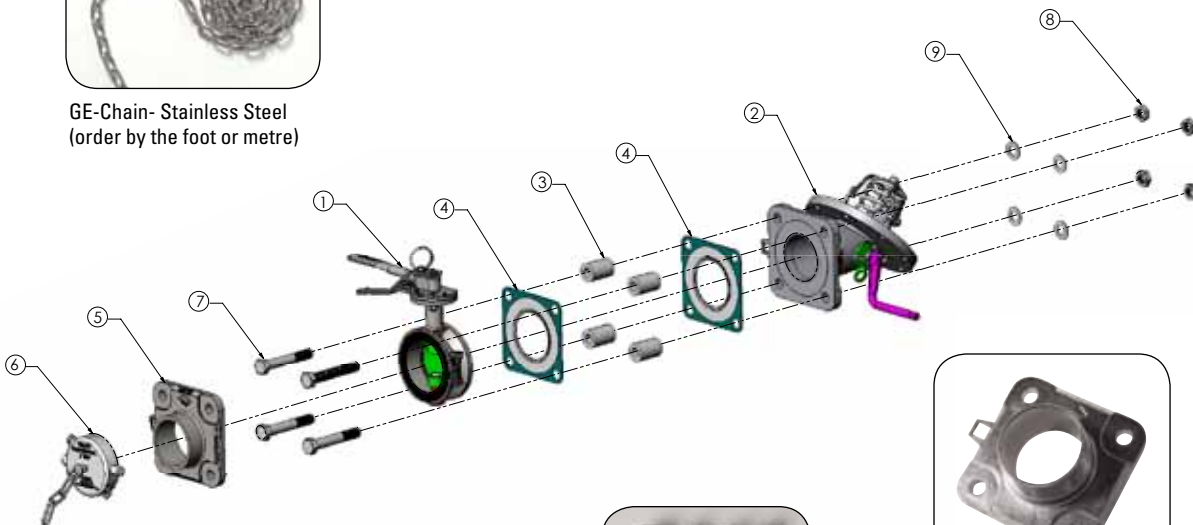
015  
PTFE- Inlet  
Connection Gasket



GE-Chain- Stainless Steel  
(order by the foot or metre)



M12X52MM-8  
M12x52M Stud, Washer Set -  
Stainless Steel



3" Blanking Cap (BSP)  
3SC-BSP



300BK-CFV  
Items 2, 5, 8, 9 Bolting Kit



GQ70040  
3" Spigot Flange (BSP)

GN30360  
3" Spigot Flange (NPT)