

**FEATURES:**

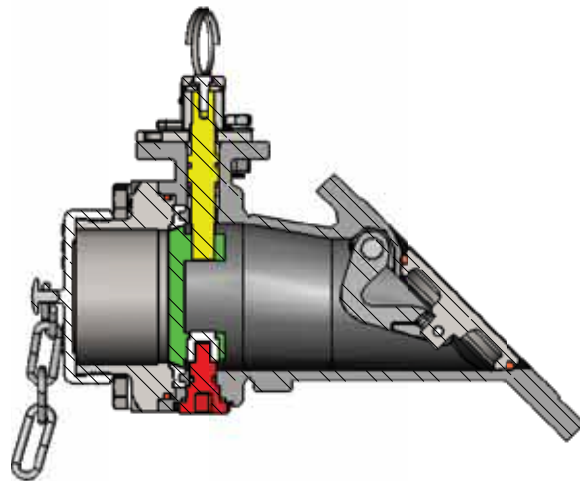
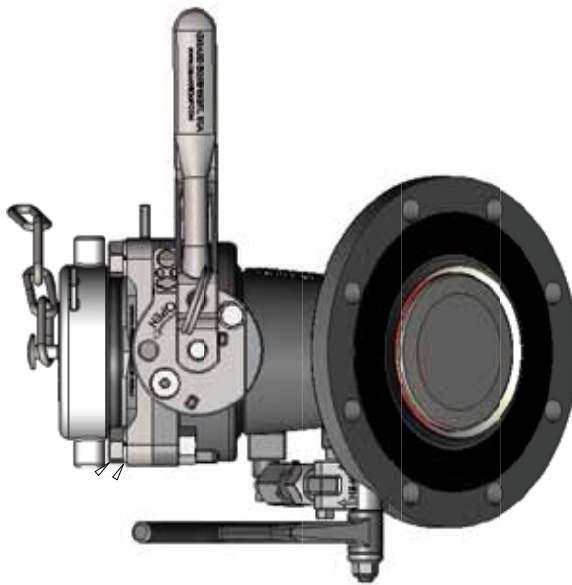
- A unique "spring/cam" cylinder is guaranteed for life (GFL™). Simply stated, if you break it, we will send you a new one free of charge.
- A completely unrestricted 3" flow path with "zero retain" discharge arrangement.
- Built-in Butterfly Valve with a cleaning position that exposes both sides of valve disc.
- Seals and O-Rings are made from PTFE and perfluoroelastomeric material.

**PERFORMANCE SPECIFICATIONS:**

<b>Design Pressure (MAWP):</b>	4 bar (58 psi)
<b>Temperature Range:</b>	-67°F (-55°C) to 392°F (200°C)
<b>PRODUCT DIMENSIONS:</b>	
<b>Weight:</b>	24 lbs. (11 kg)

**ORDERING INFORMATION**

PART NO.	DESCRIPTION
GQ80300	3" Tankflo Valve w/ BSP Male Connection as described above



ITEM #	PART #	DESCRIPTION	QTY.
1	GQ80315	MAIN BODY	1
2	GQ60190	BUSHING	1
3	GQ80320	CENTER LINK	1
4	GQ80325	FLAPPER HANDLE SHAFT	1
5	GQ60040	TEFLON® O-RING - 113	1
6	GQ60201	BOTTOM OUTLET SHAFT-113 VITON O-RING	1
7	GQ60050	THRUST COLLAR	1
8	GQ80390	SHAFT RETAINER	1
9	GQ80340	STOPPER	1
10	GQ80331	M5x0.8 SHOULDER SCREW	1
11	GQ80360	PRESSURE LINK	1
12	GQ80335	HANDLE	1
13	GQ80316	WASHER	2
14	GQ97775	M4X12FLAT HD. SCREW	2
15	GQ80410	SPRING HOUSING	1
16	GQ80420	TOP NUT	1
17	GQ80430	SPRING PLUNGER	1
18	GQ80440	SPRING	1
19	GQ80240	BOTTOM OUTLET CONNECTOR	1
20	93635A524	M12 X 40 HEX HD. SCREW	4
21	M12 SPLIT WASHER	M12 SPLIT WASHER	4
22	94150A360	M12X1.75HEXNUT	4
23	SCREW SET	M4 X 4 SET SCREW	1
24	GQ80260	BUTTERFLY SHAFT	1
25	GQ50030	-113 TEF-O-SIL O-RING	1
26	GQ50031	-113 VITON O-RING	1
27	GQ50040	DISC	1
28	GQ50050	SHAFT BUSHING	1
29	GQ50060	SUPPORT SHAFT	1
30	GQ50090	SHAFT BUSHING	2
31	GQ50101	HANDLE LOCK PLATE	1
32	GQ50190	M8 NUT	2
33	93635A326	HEX HEAD CAP SCREW M8 x 1.25 x 30	1
34	GQ50170	8mm WASHER	1
35	GQ50160	8mm LOCK WASHER	2

ITEM #	PART #	DESCRIPTION	QTY.
36	GQ50200	LEVER SPRING	1
37	GQ50210	LOCK PIN	1
38	GQ50230	PULL RING	1
39	GQ50501	PTFE MAIN SEAL	1
40	GQ50250	SHAFT BUSHING TEFLON® O-RING	1
41	GQ50260	SUPPORT STEM TEFLON® O-RING-117	1
42	GQ50070	Tef-O-Sil Seat O-Ring -245	1
43	GK30101	3" SC BSP CAP	1
44	GK30102	RETAINER PIN	1
45	GK10000	10" S/S CHAIN (1/8" LINK)	4
46	GQ80321	SHOULDER BOLT	2
47	GR08040	TEF-O-SIL MAIN O-RING SEAL	1
48	GQ50091	HANDLE	1
49	GQ101018	M6 SPLIT LOCK WASHER	1
50	GQ101025	HEX HEAD CAP SCREW M6 x 1 x 16	1
51	GQ50092	HANDLE LEVER	1
52	93395A407	M8x1.25x25 FLAT HEAD SOCKET CAP SCREW	1
53	GQ80280	SHAFT COLLAR	1
54	GQ40455	PLAIN WASHER	2
55	GQ40456	M8 HEX LOCKING NUT	1
56	GQ80332	M5x0.8 LOCKING NUT WITH NYLON INSERT	1

