



FEATURES:

- 4 point swing bolt bracketed dome manlid
- Low profile neckring welded to a compensating ring
- Lids are electropolished and neckrings are blasted & pickled

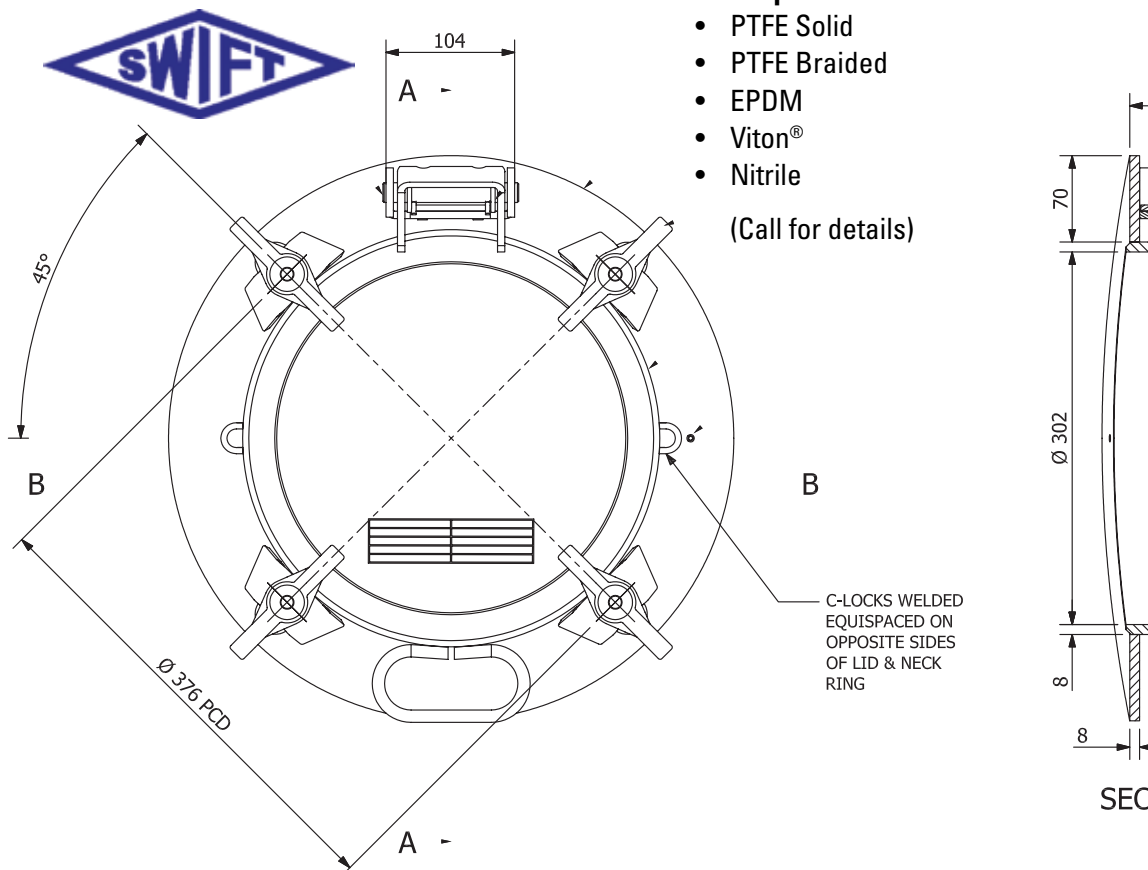


ORDERING INFORMATION

PART NUMBER	DESCRIPTION
STM300101	COMPLETE 4 POINT LOW PROFILE LID ASSEMBLY

PERFORMANCE SPECIFICATIONS:

Weight:	40 lbs (18 kg)
Design Pressure:	4 bar (58 psi)
Test Pressure:	6 bar (87 psi)
Design Temperature	-40° F (-40° C) to 356° F (180° C)



Seal Options:

- PTFE Solid
- PTFE Braided
- EPDM
- Viton®
- Nitrile

(Call for details)