



500mm  
Manlid

**PERFORMANCE SPECIFICATIONS:**

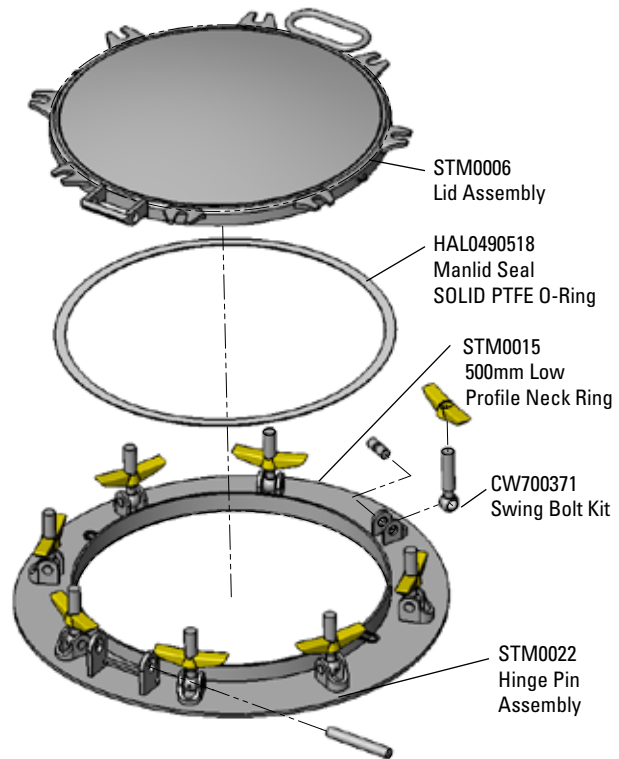
<b>Weight:</b>	80 lbs (36 kg)
<b>Design Pressure:</b>	4 bar (58 psi)
<b>Test Pressure:</b>	6 bar (87 psi)
<b>Design Temperature</b>	-40° F (-40° C) to 356° F (180° C)

**ORDERING INFORMATION**

PART NUMBER	DESCRIPTION
STM700101	COMPLETE 8 POINT LOW PROFILE LID ASSEMBLY



Also available in 460mm



**Gasket Options:**

DESCRIPTION:	ITEM #	
	<b>500mm:</b>	
Braided manlid seal	IM-STZS-14141625	type 880- 14x14mm length 1625mm
Braided manlid seal	IM-ZS-14141625A	type 880 type ACR 14 x 14mm length 1625mm
EPDM solid seal for moderate chemicals	SMG000301	EML 488 x 14 x 10
Buna N solid seal for petroleum or oils	SMG000401	BML 488 x 14 x 10 -110 deg/C
Sweet White Rubber solid seal for food substances, milk, wine.	SMG000S01	SWR 488 x 14 x 10 - 110 deg/C
Viton® solid seals for use on solvents.	SM0000601	VML 488 x 14 x 10- 230 deg/C
NITRILE ENCAPSULATED PTFE	SMG000701	Super Ten 488 x 14 x 14
James Walker HALO 500mm	HAL0490518	SOLID PTFE O-Ring