



**FEATURES:**

- Pressure / Vacuum or Pressure only styles available
- Hardened coil springs for extra durability
- Highest flow rate of any tank vent through a 2 1/2" opening
- PTFE seals and O-Rings are all interchangeable with other major brands



**ORDERING INFORMATION:**

PART NO.	DESCRIPTION
GE-IM(XX)	Standard 2 1/2" BSP Connection, Tef-O-Sil O-Rings (PTFE), Rugged Cast 316L Stainless Steel Construction, Electro-chemically Polished to a Bright Finish, Tested and Certified with Documentation and a Unique Serial Number
GE-IM(XX)-WV	Same as above, except this model provides vacuum protection as well as pressure relief

**For Pressure Settings:** Substitute (xx) with pressure rating in bar. For example, GE-IM44 is a relief vent set to discharge at 4.4 bar (63.8 psi)

**MATERIALS OF CONSTRUCTION:**

Contact parts are made from 316L stainless steel  
Standard O-Rings: PTFE/Encapsulated Silicone

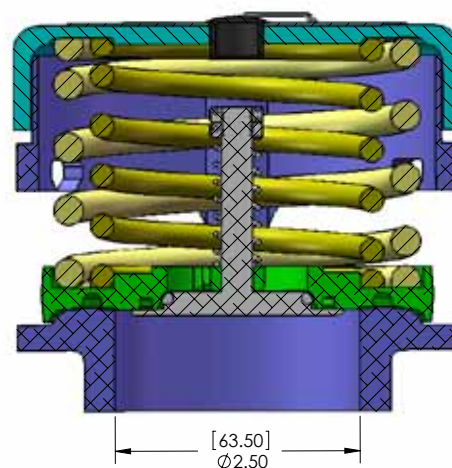
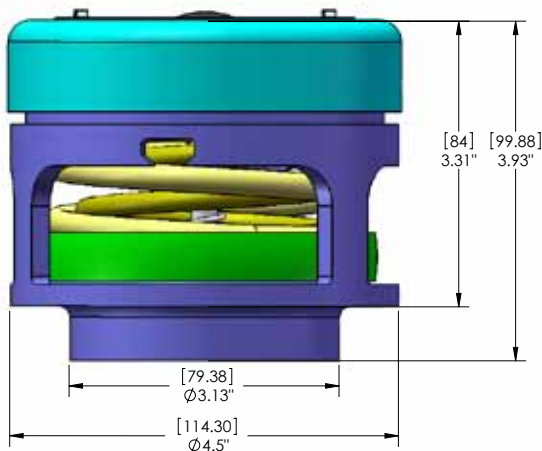
**PRODUCT DIMENSIONS:**

Weight: 6 lbs. (2.72 kg)

**PERFORMANCE SPECIFICATIONS:**

<b>Pressure Range Capabilities:</b>	From: .06 to 5.17 bar (1 – 75 PSI)
<b>Vacuum Range:</b>	Up to 24" hg
<b>Standard Vacuum Setting:</b>	-.2 bar (6" hg)

Test Certificates are supplied with each vent.  
Certification inspections can be witnessed by a third party inspectorate upon request.



Pressure/Vacuum Combination Relief Vent Shown

### ORDERING INFORMATION:

ITEM NO.	PART NUMBER	DESCRIPTION	
◆●	1	GR98000	PLUG
	2	GR01400	RATING DISC
	3	GR02510	CAP
	3A	GR03000	SET SCREW
	4	GR04410	INNER SPRING (4.4 bar only)
	5	GR04400	OUTER SPRING (4.4 bar only)
◆●	11	GR08020	PRESSURE O-RING
	12	GR11002	2 1/2" BSP MALE - HOUSING
◆●	13	GM22000	TANK SEAL - PTFE 2 1/2"

### ORDERING INFORMATION (PRESSURE ONLY):

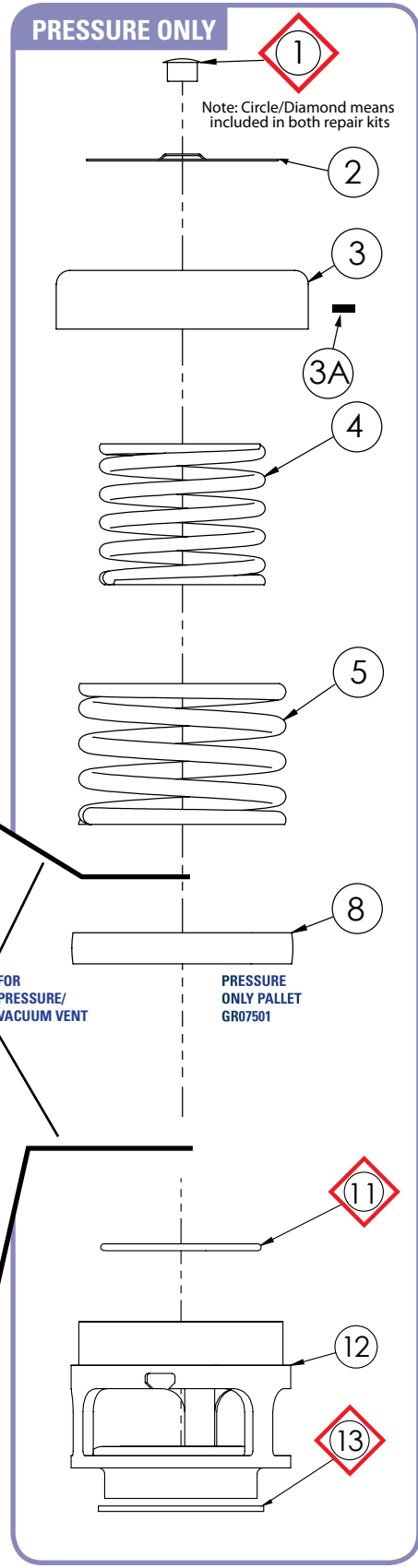
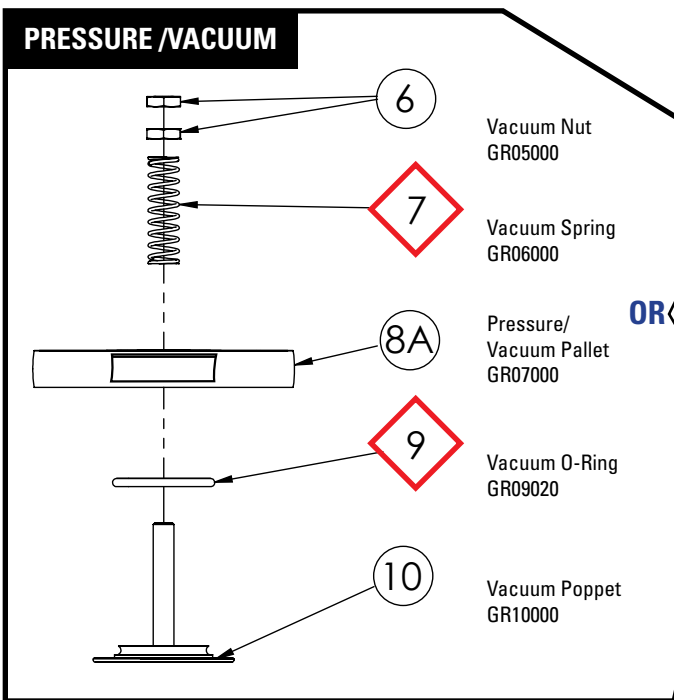
ITEM NO.	PART NUMBER	DESCRIPTION	
	8	GR07501	PRESSURE ONLY PALLET

### ORDERING INFORMATION (PRESSURE / VACUUM):

ITEM NO.	PART NUMBER	DESCRIPTION	
	6	GR05000	VACUUM NUT
◆	7	GR06000	VACUUM SPRING
	8A	GR07000	PRESSURE / VACUUM PALLET
◆	9	GR09020	VACUUM O-RING
	10	GR10000	VACUUM POPPET

### SEAL KIT:

GE-IM-SK	●	O-RING AND SEAL REPLACEMENT KIT (65mm Pressure Vents Only)
GE-IM-SK-PV	◆	O-RING AND SEAL REPLACEMENT KIT (65mm Pressure/Vacuum Vents Only)



IM Springs	
Bar	Part Number
1 thru 2	GR04410
2.7 thru 3	GR04100
3.3 thru 3.5	GR04410 (inner) and GR04100 (outer)
3.71 thru 5	GR04410 (inner) and GR04400 (outer)
Above 5	Consult with Factory