



**GIRARD**  
**EQUIPMENT USA**

## IMF-LV Pressure Vent Assembly Manual

*Revised 6/15/2012*

### Purpose:

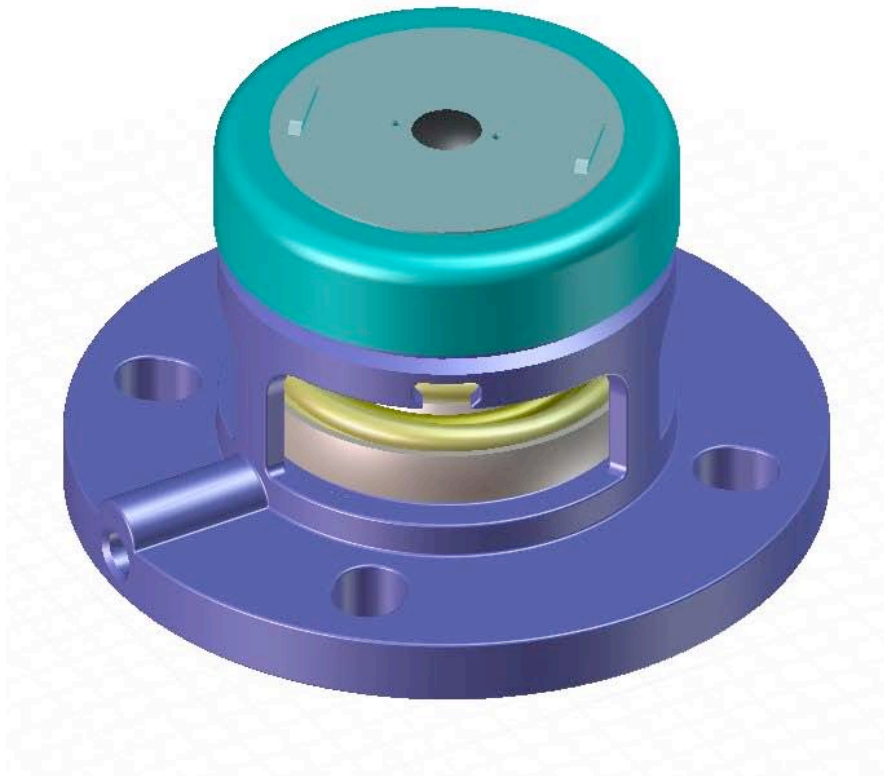
The purpose of this manual is to describe the assembly procedure for the IMF-LV Vent.

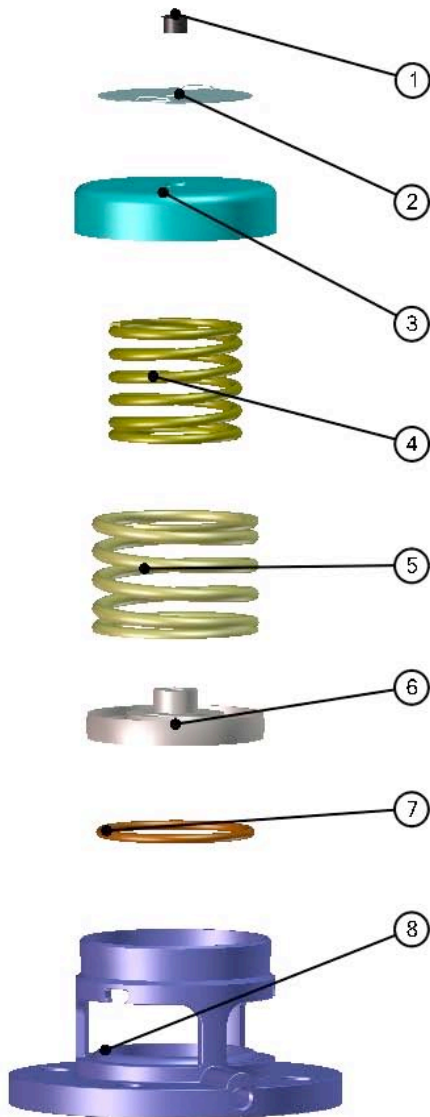
### Responsibilities:

It is the responsibility of all employees performing the assembly of the IMF-LV Pressure Vent to read and understand this procedure before starting any work.

### Equipment:

Arbor Press  
Pressure Testing Equipment





ID	Item Number	Description
1	GR98000	Plug
2	GR01410	Rating Disc
3	GR02510	Cap
4	GR04510	Inner Spring
5	GR04500	Outer Spring
6	GR07505	IM Pressure Only Pallet
7	GR08040	IM Pressure O-Ring
8	GR11515	IM Flanged Housing



Step 1: Position the GR04510 Inner Spring into the GR02510 IM Cap centered about the internal recess.



Step 2: Position the GR04500 Outer Spring into the GR02510 IM Cap centered about the internal recess.



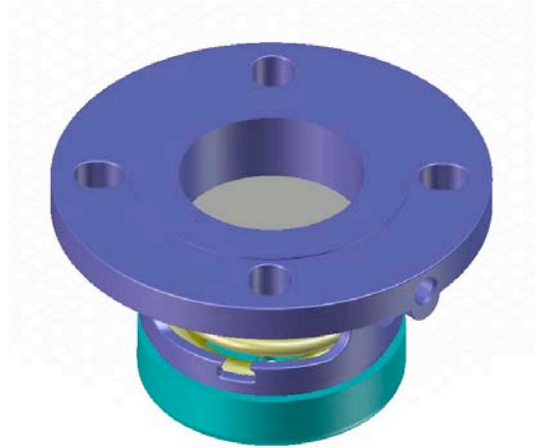
Step 3: Set the GR07505 Pressure Only Pallet onto the two springs with the o-ring groove facing up.



Step 4: Position the GR08040 Pressure O-Ring into the groove in the GR07505 Pressure Only Pallet.



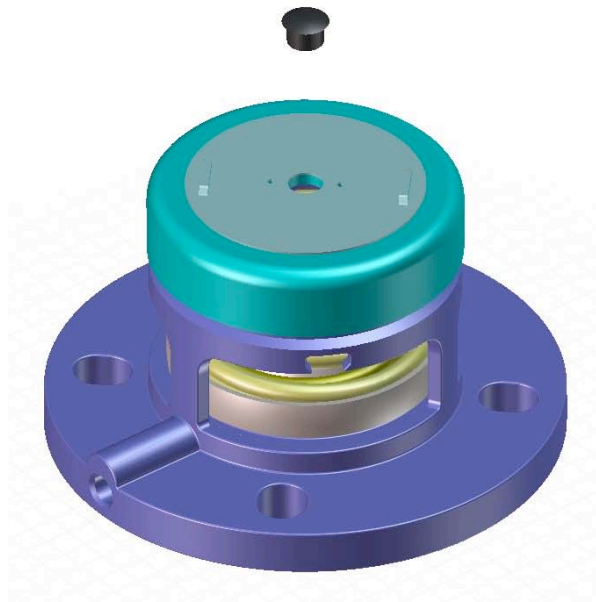
Step 5: Position the GR11515 IM Flanged Housing over the GR02510 IM Cap on an arbor press.



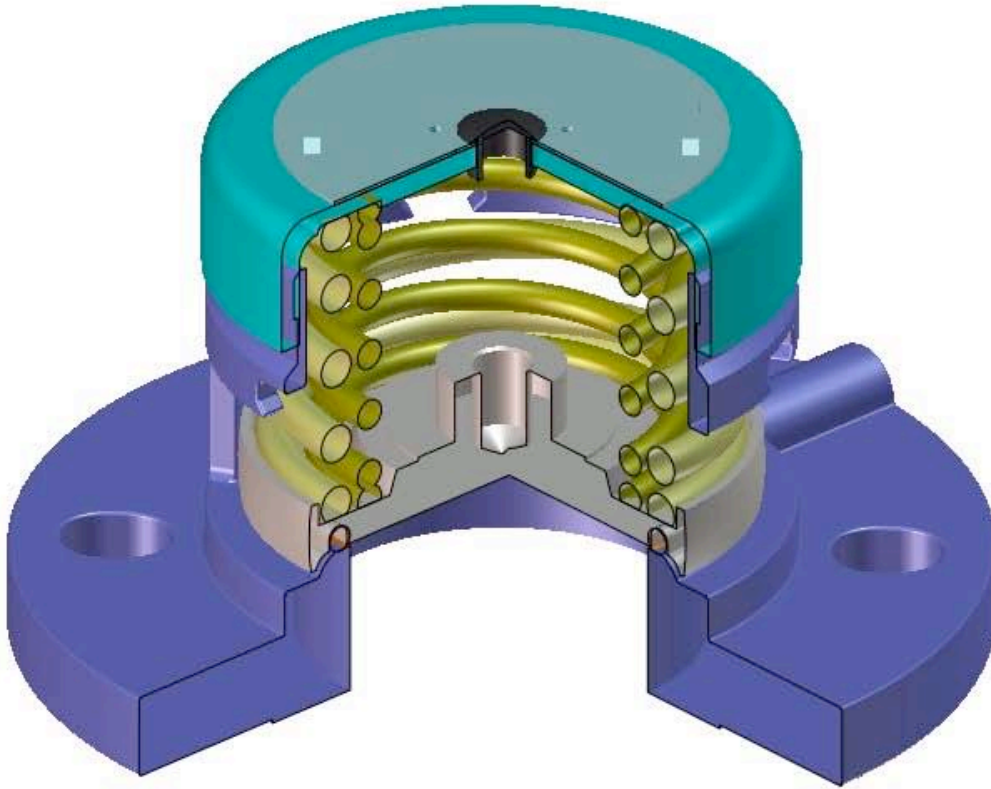
Step 6: Compress the two springs into the GR11515 IM Flanged Housing to allow the IM Cap to be threaded onto the IM Vent Flanged Housing.

Note: The pressure setting of the IM Vent is adjusted by threading the cap onto the housing.

*Clockwise = Tighten = Increase pressure setting*  
*Counter-clockwise = Loosen = Decrease pressure setting*



Step 7: Insert the GR98000 IM Hole Plug into the hole on the top of the GR02510 IM Cap.



*Cut Away view of the interior of the IMF-LV Vent*