



Right: The discharge valve poppet swings out of the way to allow maximum cargo flow.

Discharge Faster, Clean in Place

The QG80300 TankFlo bottom discharge assembly employs an armature to swing the foot valve's inlet poppet clear of the flow path, promoting higher flow rates. Its downstream 3" butterfly valve pivots 135° so the assembly may be cleaned without removal from the tank. A 3" BSP discharge spigot with tethered cap terminates the flow path.

The QG80300 is made of 316 stainless steel with PTFE seals. An integral shear groove ensures the innermost valve remains attached to the tank and closed in the event of collision impact.

©2009 Girard Equipment, Inc. All rights reserved.
 Specifications and availability subject to change without notice.
 The Girard Equipment name and logo are trademarks of Girard Equipment, Inc.

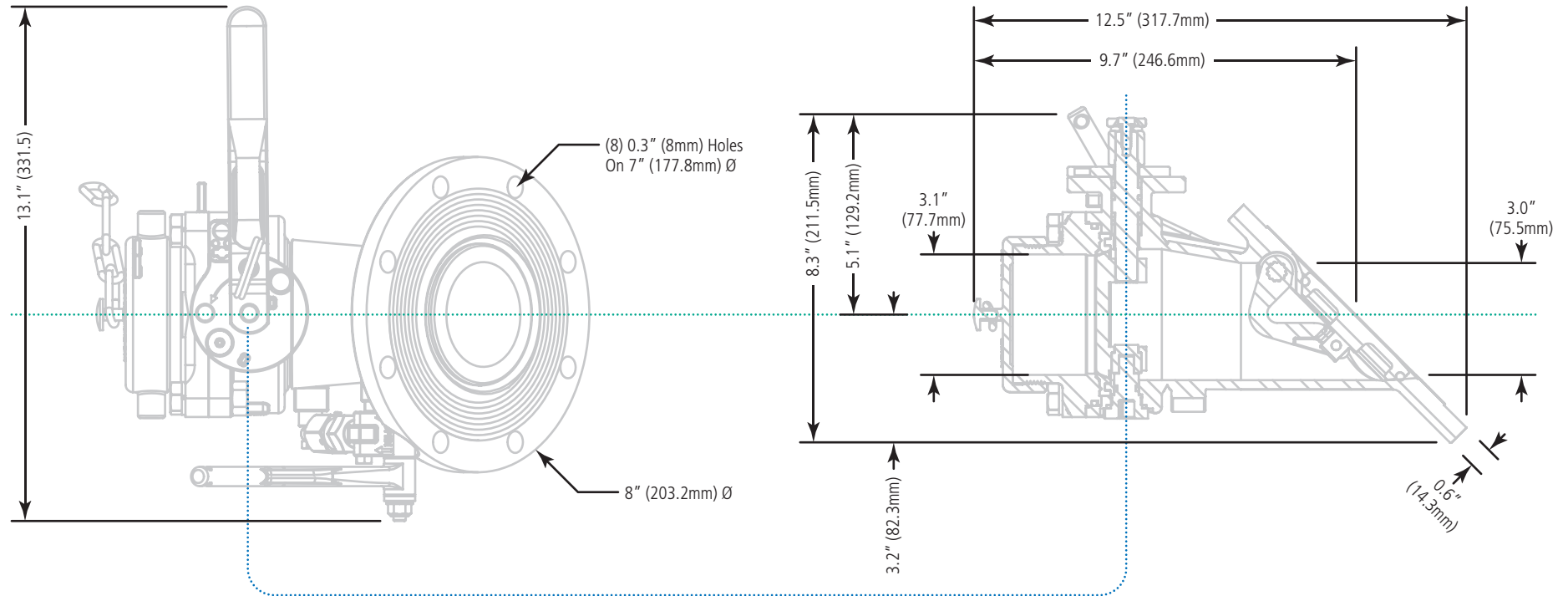


QG80300 3" Bottom Discharge Assembly, 45°

Chicago • Houston • New Jersey • Florida
 (908) 862-6300 • www.girardequip.com

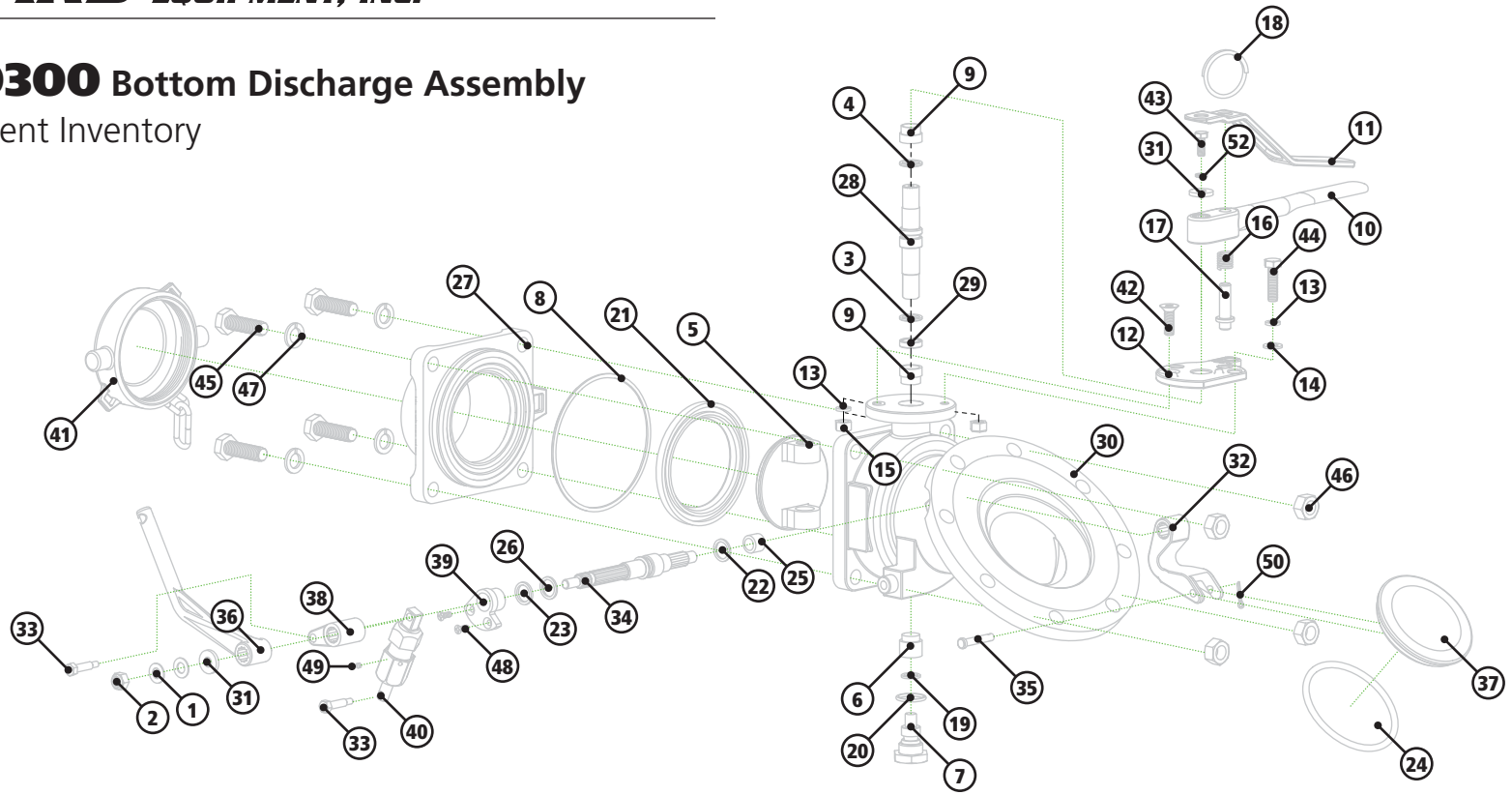
GIRARD
 EQUIPMENT, INC.

GQ80300 Bottom Discharge Assembly
Specifications



Material	316 Stainless Steel
Weight	24 lb. (11 kg)
Design Pressure (MAWP)	4 bar (58 psi)
Test Pressure	6 bar (87 psi)
Working Temperature	-67°F to +392°F (-55°C to +200°C)
Elastomers	PTFE / Viton Extreme™ / Teflon
Outlet	3" BSP

GQ80300 Bottom Discharge Assembly Component Inventory



No.	P/N	Desc.	Qty.
1	.GQ40455	Plain Washer	2
2	.GQ40456	M8 Hex Locking Nut	1
3	.QG50030	-113 Tef-O-Sil O-Ring	1
4	.GQ50031	-113 Viton O-Ring	1
5	.GQ50040	Disc	1
6	.GQ50050	Shaft Bushing	1
7	.GQ50060	Support Shaft	1
8	.QG50070	Tef-O-Seal Seat O-Ring -245	1
9	.GQ50090	Shaft Bushing	2
10	.QG50091	Handle	1
11	.GQ50092	Handle Lever	1
12	.QG50101	Handle Lock Plate	1
13	.GQ50160	8mm Lock Washer	2
14	.GQ50170	8mm Washer	1
15	.GQ50190	M8 Nut	2
16	.GQ50200	Lever Spring	1
17	.GQ50210	Lock Pin	1
18	.GQ50230	Pull Ring	1
19	.GQ50250	Teflon Shaft Bushing O-Ring	1
20	.GQ50260	Support Stem Teflon O-Ring -117	1
21	.GQ50501	Walker Seal	1
22	.GQ60040	Teflon O-Ring -113	1
23	.GQ60050	Thrust Collar	1
24	.GQ60150	JW OB 3000 810053	1
25	.GQ60190	Bushing	1
26	.GQ60201	Bottom Outlet Shaft O-Ring, Viton -113	1
27	.GQ80240	Bottom Outlet Connector	1
28	.GQ80260	Butterfly Shaft	1
29	.GQ80280	Shaft Collar	1
30	.GQ80315	Main Body	1
31	.GQ80316	Washer	2
32	.GQ80320	Center Link	1
33	.GQ80321	Shoulder Bolt	2
34	.GQ80325	Flapper Handle Shaft	1
35	.GQ80330	Pin	1
36	.GQ80335	Handle	1
37	.GQ80340	Stopper	1
38	.GQ80360	Pressure Link	1
39	.GQ80390	Shaft Retainer	1
40	.GQ80400	Spring Assembly	1
41	.GK30103	Cap with Chain	1
42	.93395A407	M8 x 1.25 x 25 Flat Head Socket Cap Screw	1
43	.93635A210	Hex Head Cap Screw, M6 x 1 x 16	1
44	.93635A326	Hex Head Cap Screw, M8 x 1.25 x 30	1
45	.93635A524	Hex Head Screw, M12 x 40	4
46	.94150A360	Hex Nut, M12 x 1.75	4
47	n/a	M12 Split Washer	4
48	n/a	M4 x 12 Flathead Screw	2
49	n/a	M4 x 4 Socket Set Screw	1
50	.98355A070	3/32" x 3/4" Cotter Pin	1